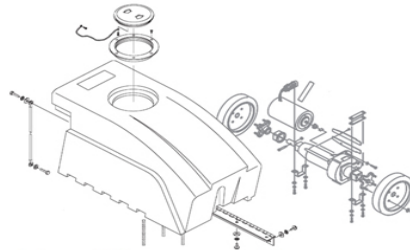


**200 Floor  
Scrubber  
Battery  
Traction Drive  
w/Pump  
Insert w/MC20025**

**Model: MC20525**



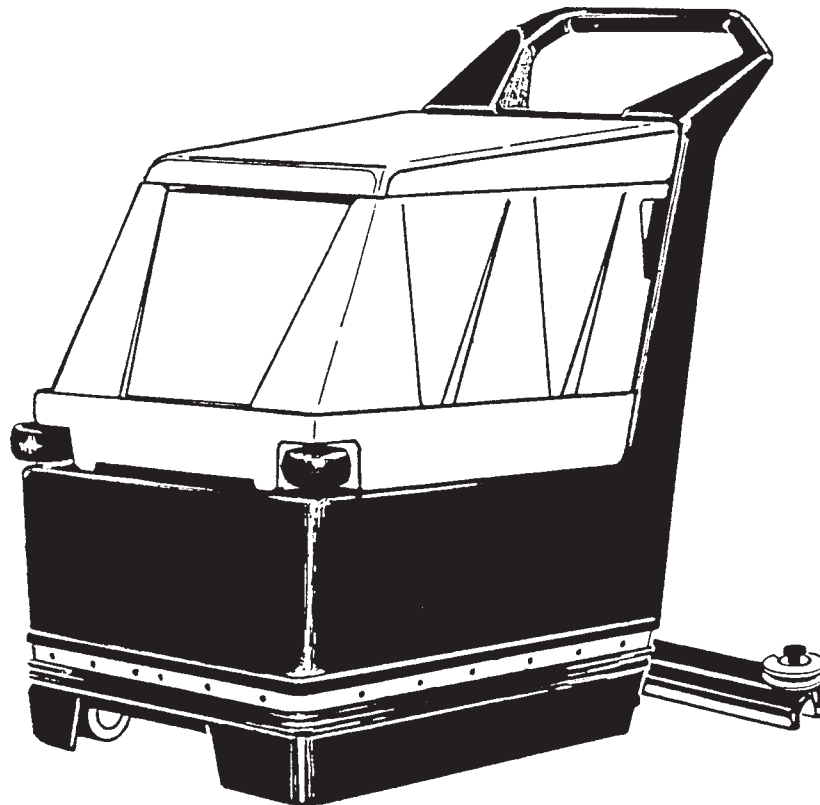
**FLOOREQUIPMENTPARTS.COM**

**OPERATION**

**SERVICE**

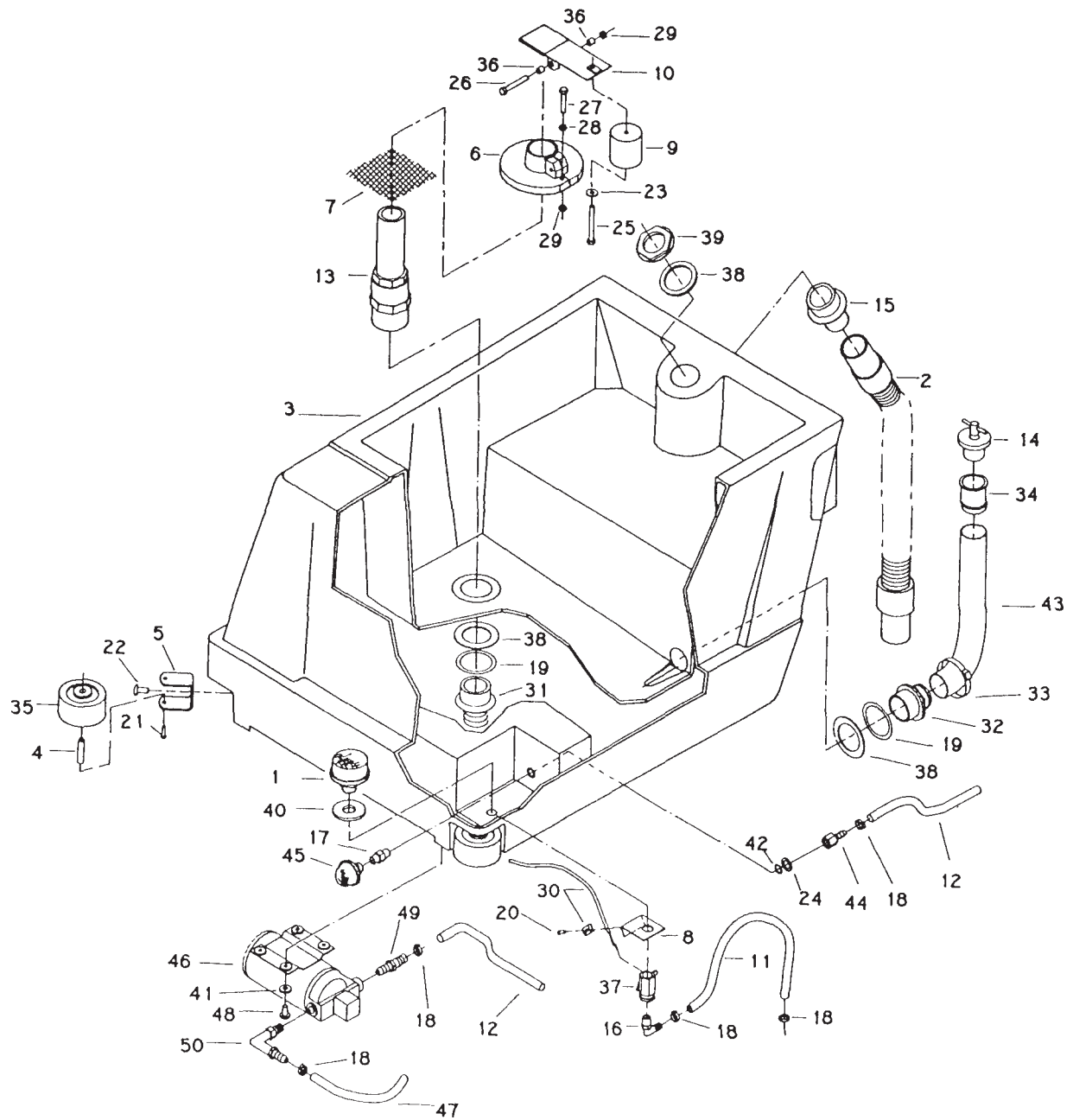
**PARTS**

**CARE**



Revised

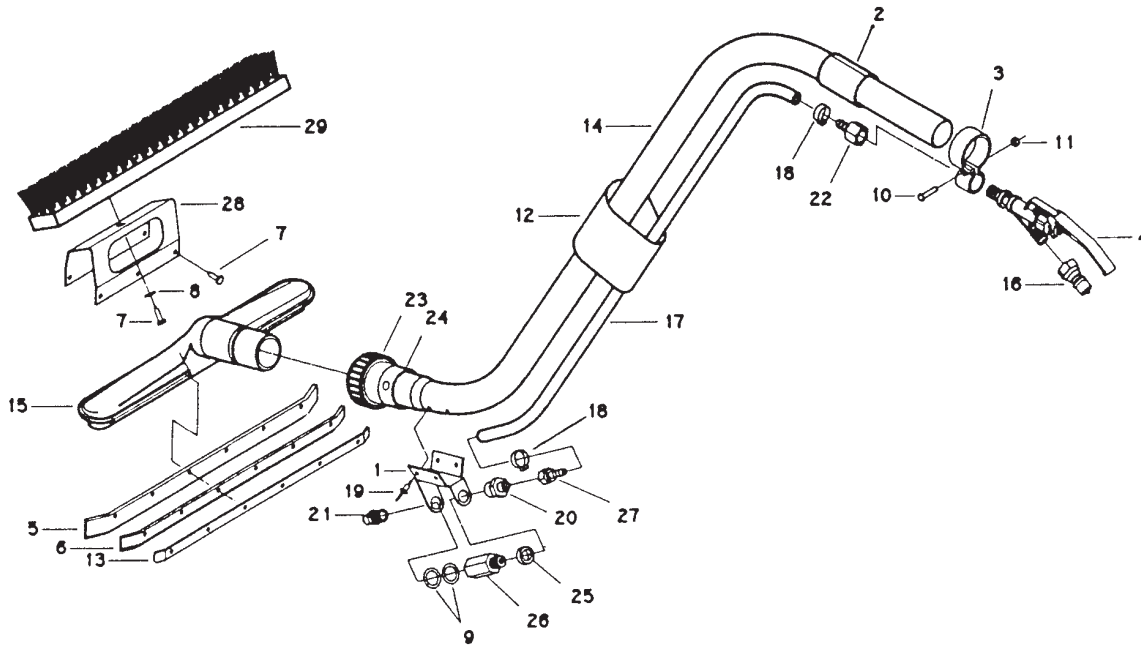
**Minuteman<sup>®</sup>**



# Parts List

Item	Part No.	Qty.	Description
1	130118	1	Solution Strainer M3-40
2	210068	1	Vac Recover Hose 34.5 C/L
3	210001MCH	1	Sol/Recovery Tank Assembly
4	833254	2	Bumper Wheel Axle
5	832949	2	U-Bracket Wheel Mount
6	430041	1	Float Housing
7	430050	1	Filter Screen 4 x 4
8	430058	1	Sol. Valve Cable Mount
9	430089	1	Float
10	430090	1	Float Valve Weldment
11	450056	1	Solution Hose Nylon 21"
12	210073	1	Hose 3/8 Nylon 9"
13	210009	1	Standpipe Assembly
14	833316	1	Drain Plug 1 1/4
15	831812	1	Adapter
16	450040	1	Elbow Plt. 3/8 MPT x 3/8 BARB
17	450059	1	Brass Bulkhead Fitting
18	450076	2	Crimp Clamp SS 185R
19	450081	2	WSR SS 1.908 x 2.41 x .03
20	711124	1	SCR-ST-B 10 x .37 NI
21	710353	2	SCR-MC 10-32 x .37 ST PL
22	710985	2	SCR-SC 3/8-16 x .62
23	711504	1	WSR-Flat 1/4 ID SS
24	711594	1	WSR-Flat .56 x .88 x .03 NI
25	712092	1	SCR Nylon 1/4-20 x 2.5
26	712567	1	SCR-MC 1/4-20 x 2.00 SS
27	712569	1	SCR-MC 1/4-20 x 1.50 SS
28	712665	1	Nut-Hex 1/4-20 SS
29	712667	2	Nut-Hex 1/4-20 SS NYLOC
30	210045	1	Solution Control Cable A
31	450083	1	Hose Adapter
32	760220MCH	1	1.5 Adapter MCH (833310)
33	760245	1	Hose Clamp 62P24
34	760343	1	Tube Hose 24/32B
35	832896	2	Guide Wheel
36	762384	2	Bushing .277 x .375 x .37
37	809413	1	Valve Solution
38	828970	3	WSR Neop 1.81 x 2.37 x .9
39	828971	1	Nut 1 1/2 Pipe Thread
40	828975	1	WSR Neop .75 x 1.5 x .90
41	712764	4	WSR SS 10
42	832326	1	O Ring
43	210069	1	Black Drain Hose 32" C/L
44	833473	1	Hose BARB 1/4 FPT x 3/8 BARB
45	828974	1	Strainer
46	833299	1	Pump 100 PSI 24V DC
47	210073	1	Solution Dump Hose Nylon 41"
48	712539	4	SCR-THMC 10-24 x .75 STPL
49	828952	1	3/8 BARB x 1/4 MPT
50	833325	1	Elbow PLT 1/4 MPT x 3/8 BARB

# Brush/Squeegee Attachment



## Parts List

Item	Part No.	Qty.	Description	Item	Part No.	Qty.	Description
1	100004	1	Spray Jet Bkt.	17	828488	3	Hose 1/4 x .5 275 PSI Nyloc
2	100005	1	Adapter Sleeve 1.25 x 1.5	17A	100013	1	Sol. Hose Assy. (incl. 18, 22, 27)
3	390056	1	Valve Mount	18	882490	2	Crimp Clamp 140R
4	390066	1	Solution Valve Assy. Complete	19	828893	4	Pop Rivet
5	500295	2	Rubber Squeegee	20	828953	1	Flare Connector
6	500296	2	Rubber Reinforcement	21	829115	1	Vee Jet 1/4
7	711106	14	SCR-ST-A 10 .75 PL	22	831327	1	1/4 FMPT x 1/4 Hose BARB
8	711503	2	WSR-Flat #10	23	832284	1	Nut
9	711594	2	WSR-Flat .56 x .88 x .03 NI	24	832285	1	Yoke
10	712545	1	SCR-MC 10-32 x .87 SS	25	832884	1	Spacer
11	712636	1	Nut-Hex 10-32 SS	26	833384	1	Check Valve
12	726164	2	Tube, Shrink 1.50 ID HSPVC	27	833488	1	HB Swiv. FI 146HBLFSV-4-4
13	800615	2	Retainer Strip	28	833789	2	Mounting Bracket
14	804022	1	Wand, 1 1/4 S Type	29	833841	1	Brush
15	808648	1	Nozzle Squeegee		100002		Wand Assembly Complete
16	828368	1	BH2-61 Male Coupler		833877		Brush Squeegee Tool Complete

# Minuteman®

**World Headquarters**  
 Minuteman International, Inc.  
 111 South Rohlwing Road  
 Addison, Illinois 60101

Minuteman Canada, Inc.  
 2210 Drew Road  
 Mississauga, Ontario  
 L5S 1B1

(630) 627-6900  
 FAX (630) 627-1130

(905) 673-3222  
 FAX (905) 673-5161

988007  
 Printed in U.S.A.